

How to make a center pop up book!

Note: The panels are numbered 1-4 for reference. The numbers make folding easier to explain and to do. Panels 2 and 3 are the "pop up" panels that fold inside panels 1 and 4. Here is how to do it.

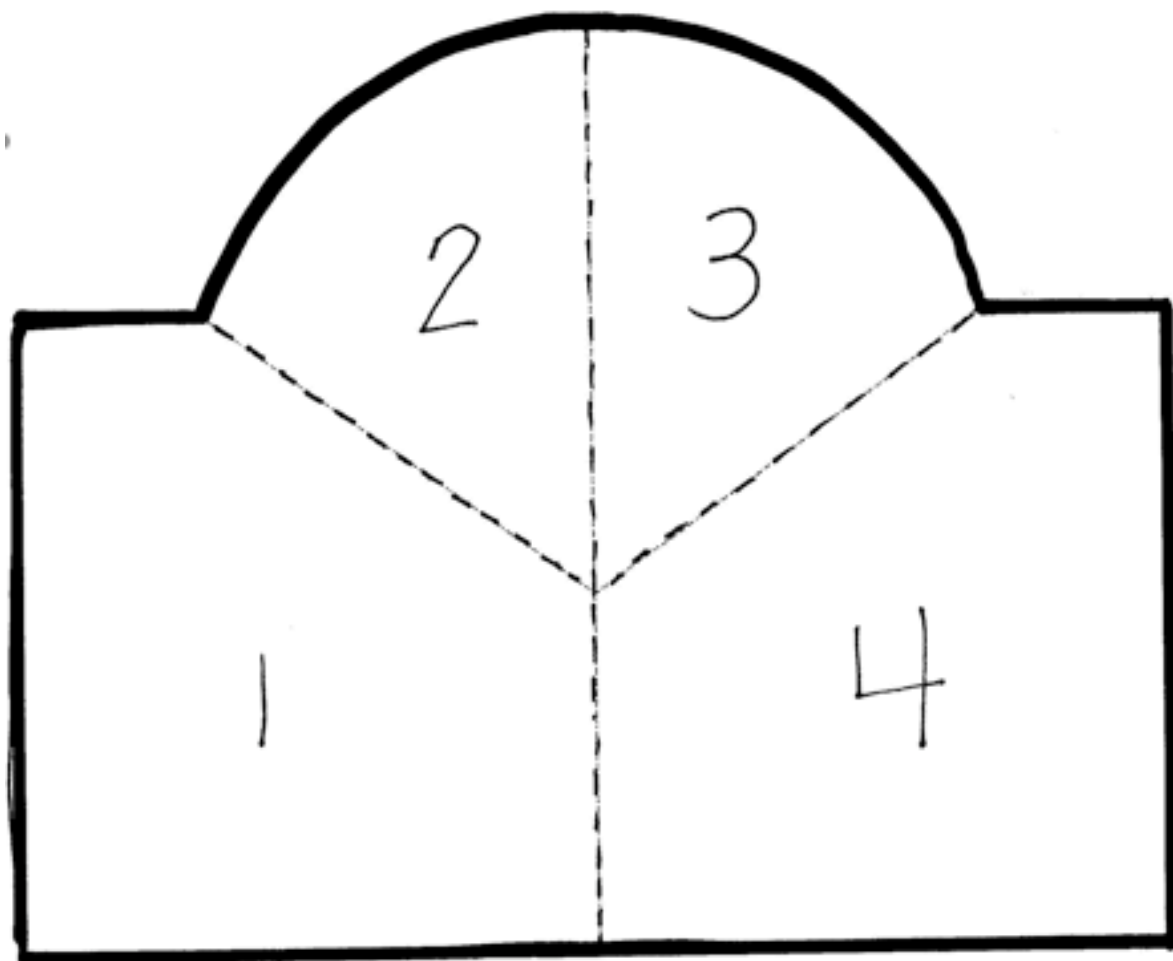
Cut the paper into the shape shown below then follow the steps:

Step 1: Fold panels 2, 3, and 4 over panel 1, as shown; unfold.

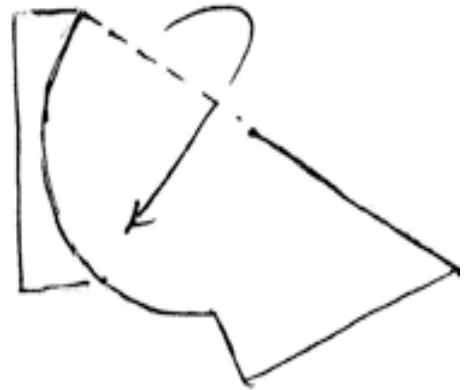
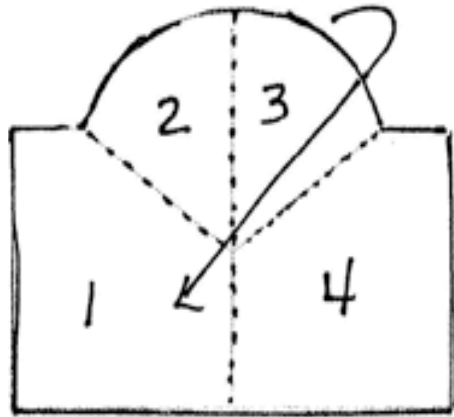
Step 2: Fold panels 1, 2, and 3 over panel 4, as shown; unfold.

Step 3: Fold panels 1 and 2 over panels 3 and 4, as shown; unfold.

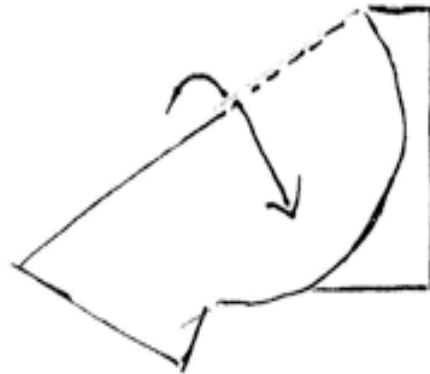
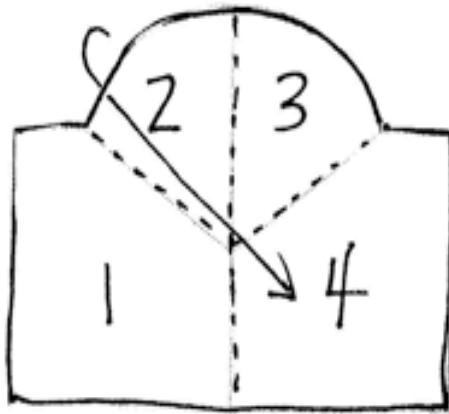
Step 4: Fold panel 3 on top of panel 4; fold the back of panel 2 to the back of panel 3 (panel 4 will follow); fold as shown (the pop-up panels



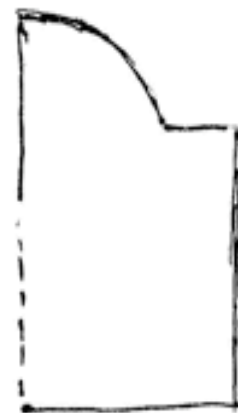
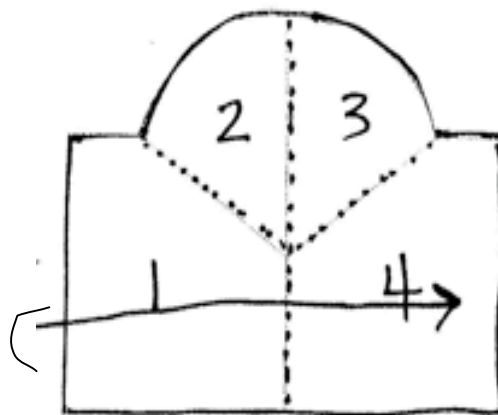
fold 1



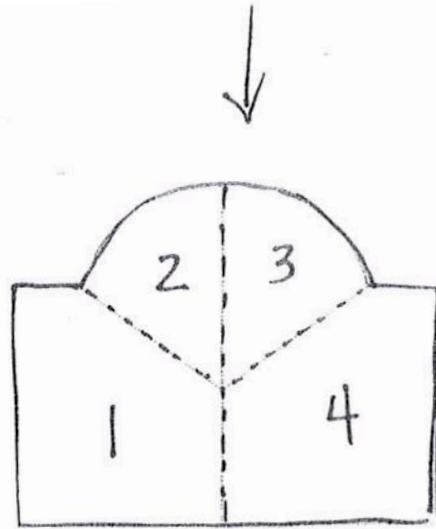
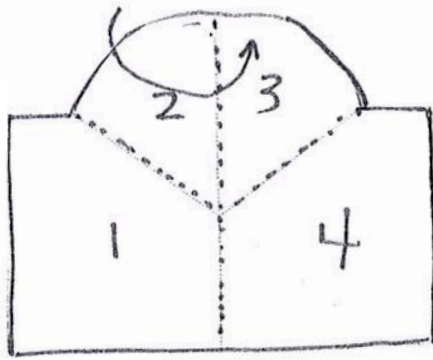
fold 2



fold 3



fold 4



finished book

